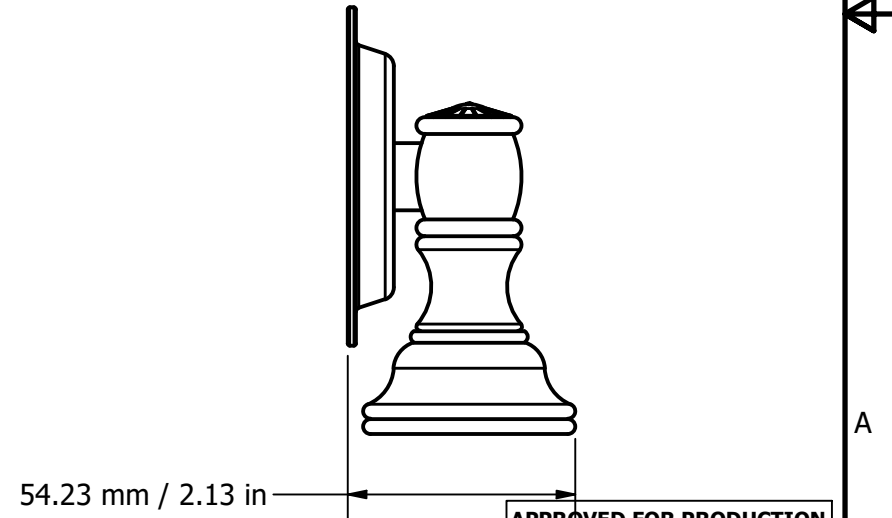
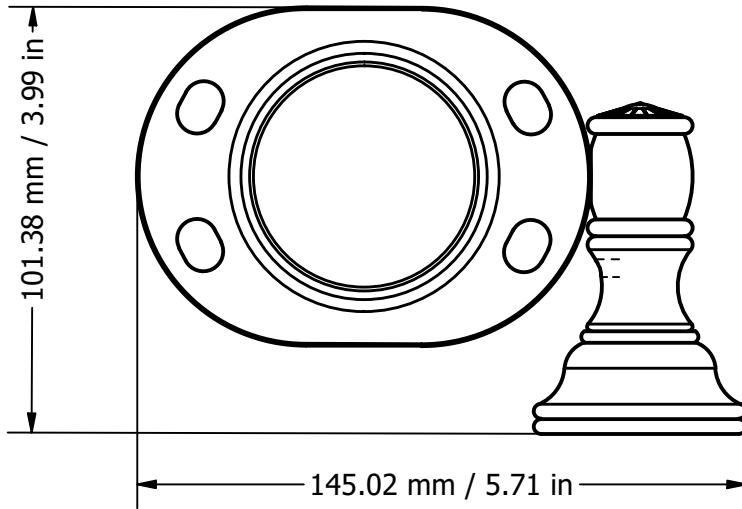
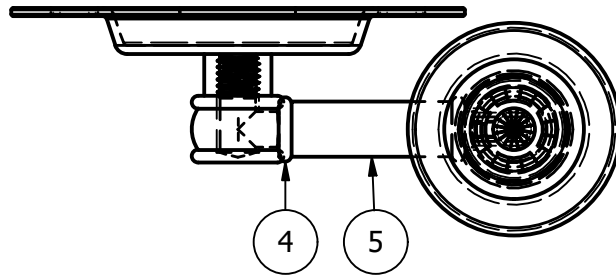
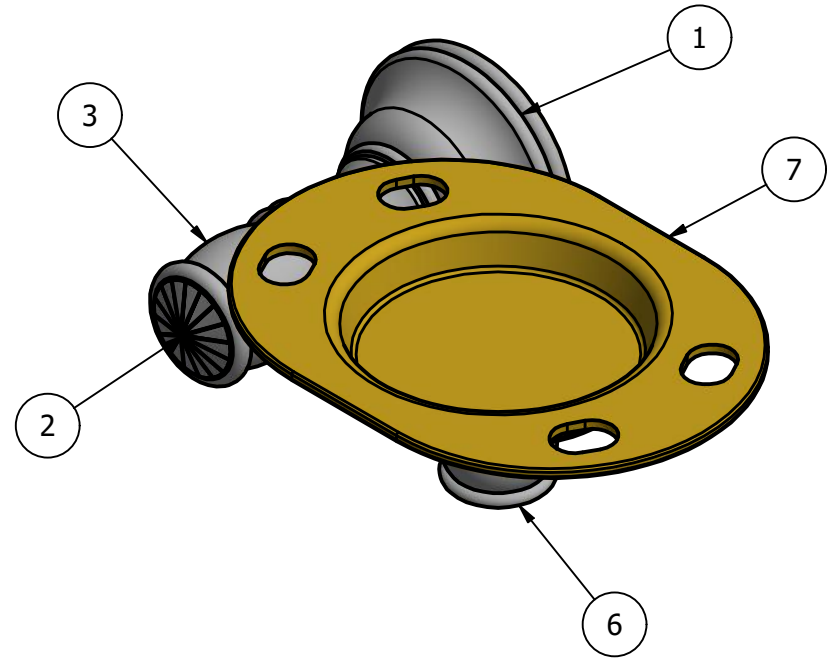




| PARTS LIST | | | |
|------------|-----|-------------|-------------|
| ITEM | QTY | PART NUMBER | DESCRIPTION |
| 1 | 1 | TBBS-2 | BACKPLATE |
| 2 | 1 | CRYSTCAP-20 | CRYSTAL CAP |
| 3 | 1 | TSPS-2 | HUB |
| 4 | 2 | CRRD-12 | CHECK RING |
| 5 | 1 | TU12-1.5 | TUBE |
| 6 | 1 | CLHB2T-78 | HUB |
| 7 | 1 | HROVT | HOLDER |



APPROVED FOR PRODUCTION
 By: RICHARD PAUL
 Date: 01-28-20

| UNLESS OTHERWISE SPECIFIED | |
|----------------------------|----------|
| .X | ± .3mm |
| .XX | ± .15mm |
| .XXX | ± .008mm |

UNIT IS IN MM.

| | | | | | | | |
|--|---------|------|---|--|---------------|--------|-----|
| DRAWN | 1-29-20 | IM | MATERIAL: | BRASS | | FINISH | TBD |
| CHECKED | 1-29-20 | P.D. | DESCRIPTION: | Carolina Crystal Collection Tumbler and Toothbrush Holder | | QTY | TBD |
| APPROVED | 1-29-20 | R.A. |  | | DRAWING NO. | | REV |
|  THIRD ANGLE PROJECTION | | | | | CC-26 | | 0 |
| | | | SCALE | 1.5:1 | SHEET: 1 OF 1 | A4 | |